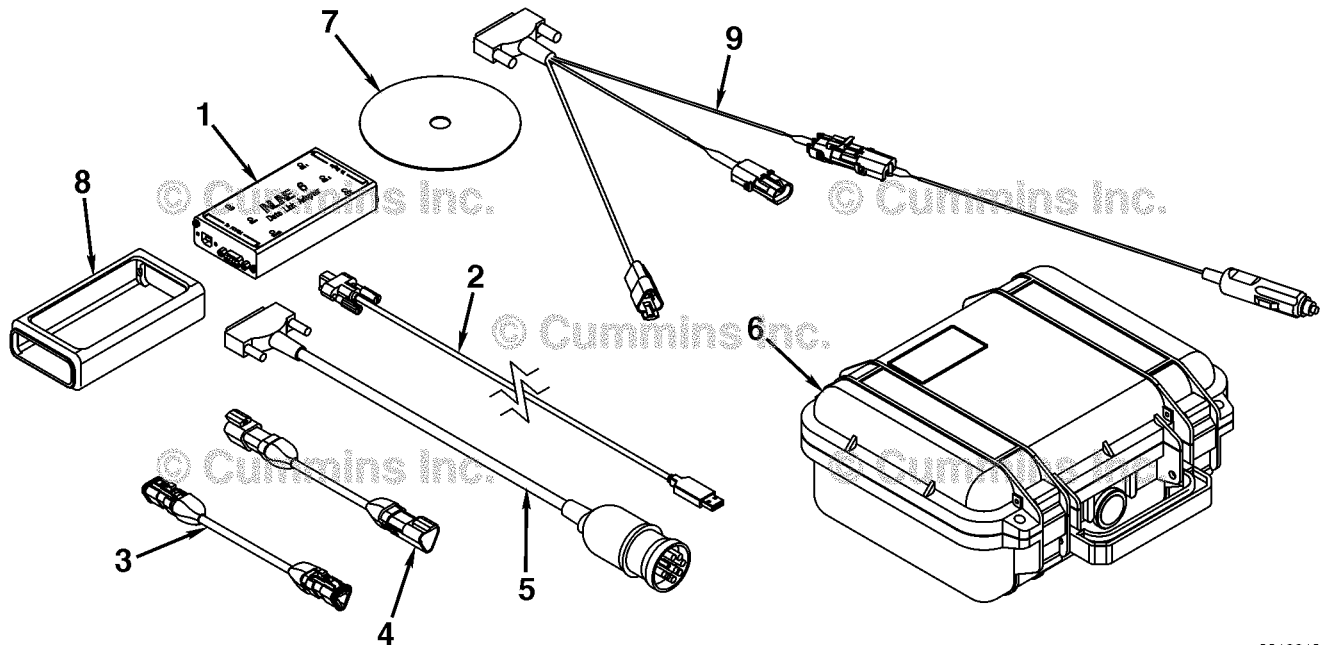


Description

INLINE™ 6 Data Link Adapter Kit

Part Number 2892092	Date 15-Aug-2012	Bulletin Number 3400419-2
-------------------------------	----------------------------	-------------------------------------

This document provides information for the INLINE™ 6 Data Link Adapter Kit, Part Number 2892092, and the associated cables to connect a personal computer to the data link adapter. The INLINE™ 6 data link adapter is designed for use with the SAE J1708 and J1939 standard protocols. The INLINE™ 6 data link adapter is used with software applications such as INSITE™ Electronic Service Tool 7.5 and later versions. The INLINE™ 6 supports all Cummins Inc. electronic engines.



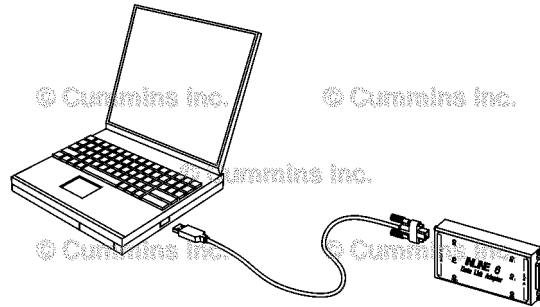
22100120

Table 1, INLINE™ 6 Data Link Adapter Kit, Part Number 2892092

Item Number	Part Number	Description	Quantity
1	2892093	INLINE™ 6 data link adapter	1
2	2892176	USB cable, (4.3 m [14 feet])	1
3	3163096	J1939 backbone adapter	1
4	3163597	J1939 gender change adapter	1
5	4919780	Data link cable (DB25F 9-Pin Deutsch™ connector)	1
6	4918713	Storage case	1
7	2892095	INLINE™ 6 software compact disc	1
8	2892096	INLINE™ 6 ruggedized protective boot	1
9	3165141	DB25F/2-pin Weather-Pack™/2-pin Weather-Pack™/3-pin Deutsch™ cable	1

Table 2, Items Used with INLINE™ 6 Data Link Adapter Kit, Part Number 2892092, Purchased Separately

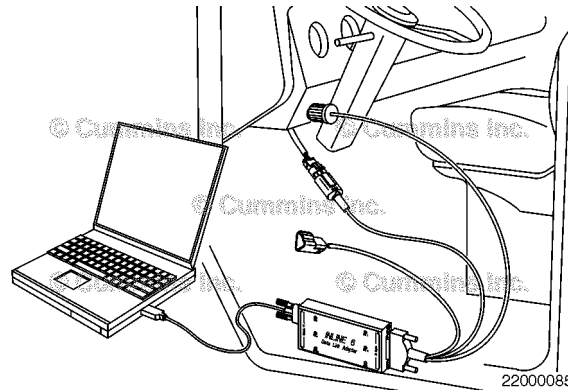
Item Number	Part Number	Description	Quantity
Not Shown	4919797	DB25F/3-pin Deutsch™/3-pin Deutsch™/2-pin Weather-Pack™ cable	1
Not Shown	3824440	DB25F 8-Pin AMP™ connector	1
Not Shown	4918418	DB9F-DB9M serial cable	1
Not Shown	3165160	DB25F/6-pin Deutsch™ cable	1



22000084

NOTE: A fully populated USB cable, Part Number 2892176, or DB9F-DB9M, serial cable, Part Number 4918418, **must** be used.

Connect the DB9F-DB9M serial cable, Part Number 4918418, or the USB cable, Part Number 2892176 to the RS-232 serial port or the USB port of the computer and to the INLINE™ 6 data link adapter, Part Number 2892093.



22000085

The INLINE™ 6 data link adapter requires +8-VDC to +50-VDC at 250mA that can be supplied through the OEM connector or by a separate power source.

Connect the appropriate data link cable to the INLINE™ 6 data link adapter, Part Number 2892093.

With the data link cable connected to the INLINE™ 6 data link adapter, connect the other end of the data link cable to the vehicle cab or engine compartment data link connector.

Launch the electronic service tool application software.

The following are the INLINE™ 6 Adapter Indicator Lamp Functions:

Power Lamp

- When the power lamp is lighted green continuously, this means DC power is being supplied to the adapter at the proper voltage level. The INLINE™ 6 adapter requires +8-VDC to +50-VDC at 250 mA that can be supplied through the OEM connector or by a separate power source.
- When the power lamp is lighted red continuously, this means that either the INLINE™ 6 adapter is receiving a low power supply voltage (less than 8-VDC) or is **only** receiving power from the USB port.
- When the power lamp is off, this means that the INLINE™ 6 is receiving no power.

CAN 1 Port Lamp

- A CAN 1 red flashing lamp indicates that the INLINE™ 6 adapter is physically connected to a CAN data link. However, it is **not** communicating with an ECM on the CAN data link. A CAN 1 green flashing lamp indicates that the INLINE™ 6 adapter is communicating with an ECM on the CAN data link.

CAN 2 Port Lamp

- A CAN 2 red flashing lamp indicates that the INLINE™ 6 adapter is physically connected to a CAN data link. However, it is **not** communicating with an ECM on the CAN data link. A CAN 2 green flashing lamp indicates that the INLINE™ 6 adapter is communicating with an ECM on the CAN data link.

J1708 Port Lamp

- A J1708 red flashing lamp indicates that the INLINE™ 6 adapter is physically connected to a J1708 data link. However, it is **not** communicating with an ECM on the J1708 data link. A J1708 green flashing lamp indicates that the INLINE™ 6 adapter is communicating with an ECM on the J1708 data link.

RS-232 Port Lamp

- An RS-232 green flashing lamp indicates that the INLINE™ 6 adapter is connected to an active RS-232 port and exchanging communications. An RS-232 lamp in the OFF state indicates that the INLINE™ 6 adapter is **not** communicating over the RS-232 port.

USB Port Lamp

- A USB green flashing lamp indicates that the INLINE™ 6 adapter is connected to an active USB port and is exchanging communications. A USB lamp in the OFF state indicates that the INLINE™ 6 adapter is **not** communicating over the USB port.